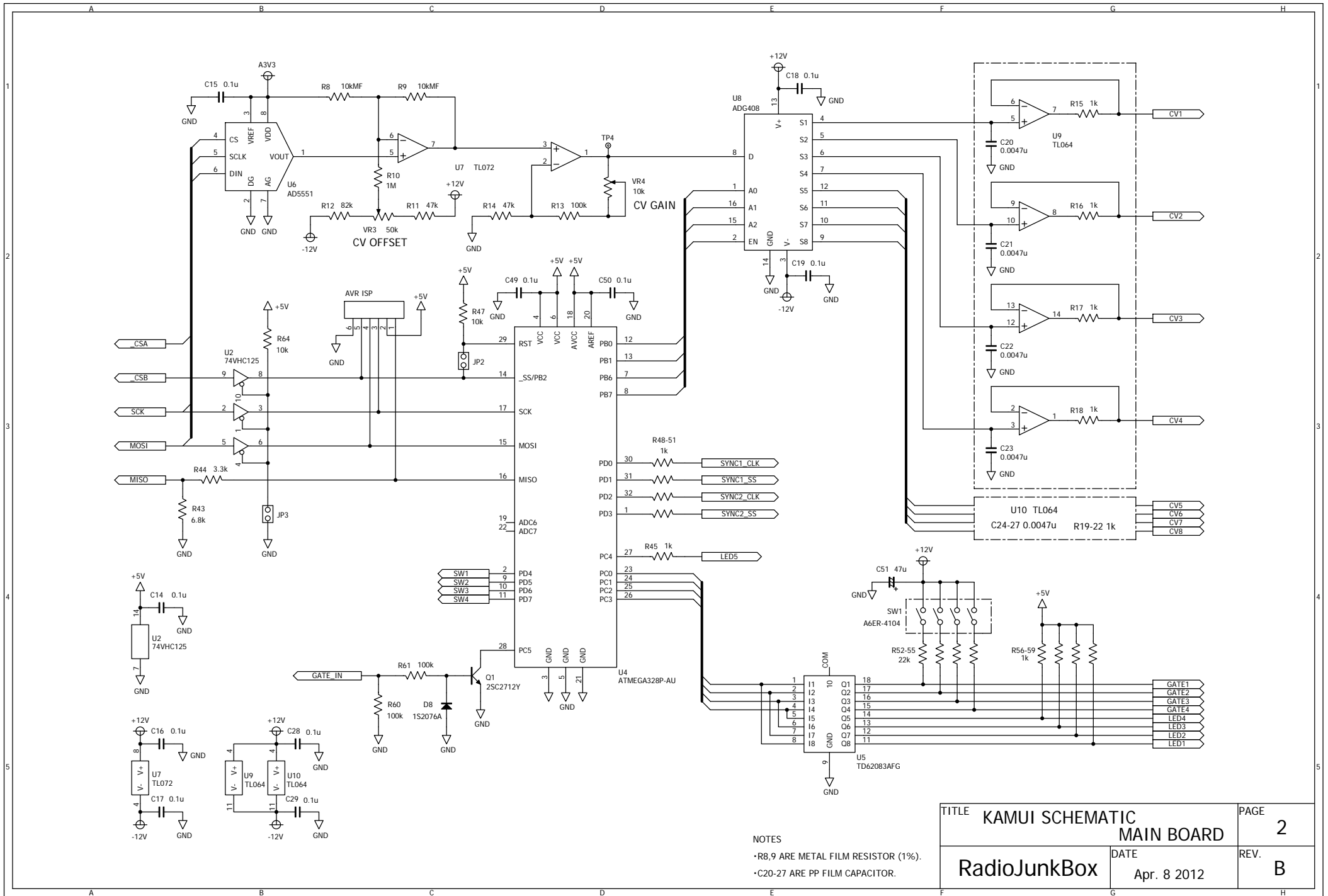


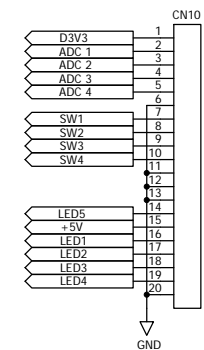
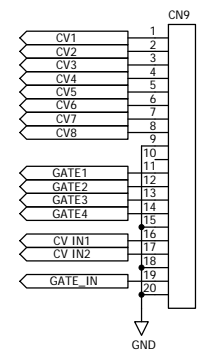
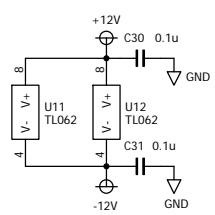
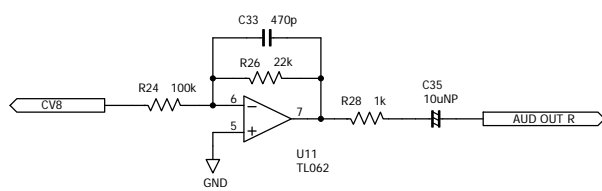
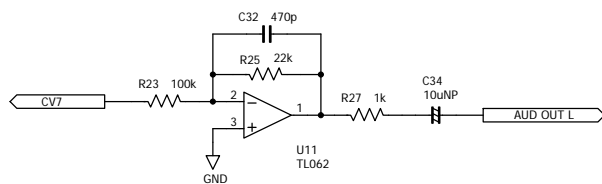
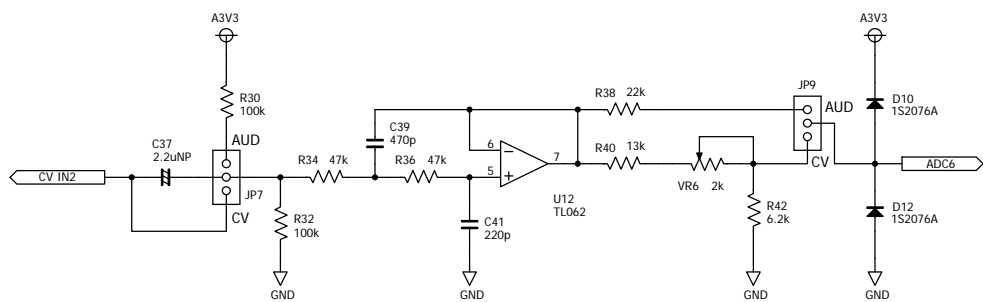
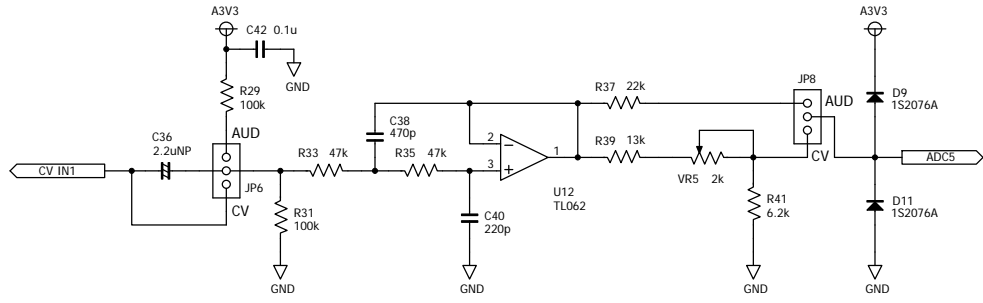
TITLE	KAMUI SCHEMATIC MAIN BOARD	PAGE	1
RadioJunkBox	DATE	Apr. 22 2012	REV.
			B

NOT INSTALL NORMALLY

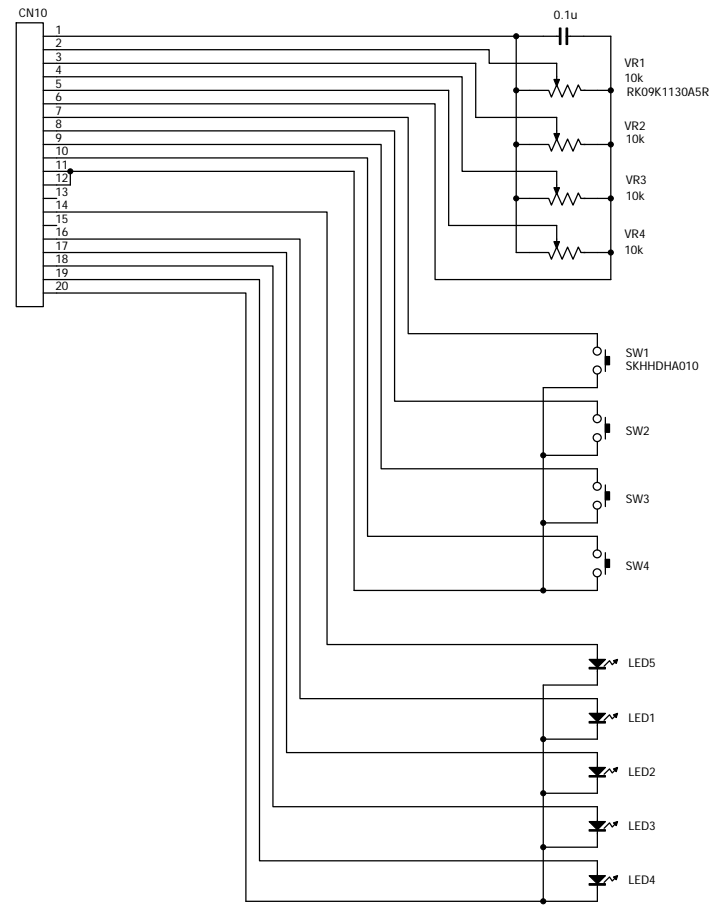
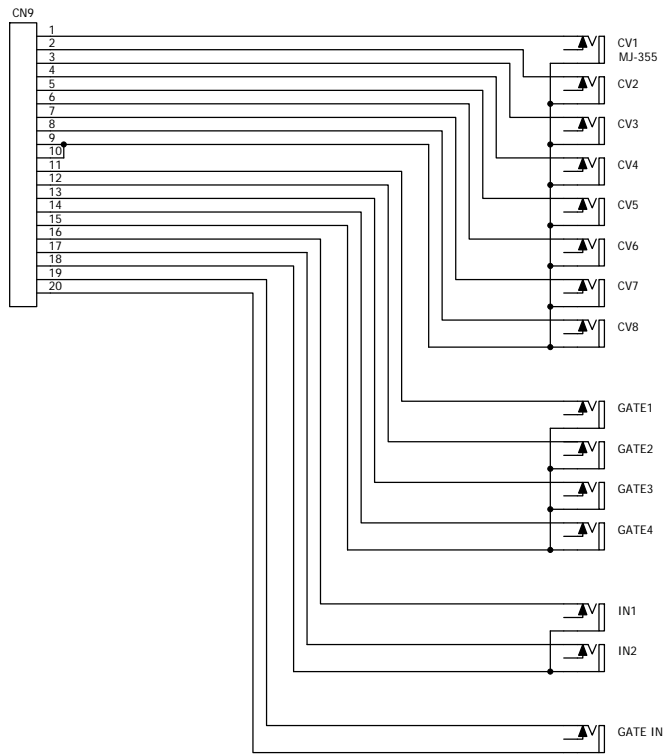


NOTES
 -R8,9 ARE METAL FILM RESISTOR (1%).
 -C20-27 ARE PP FILM CAPACITOR.

TITLE		KAMUI SCHEMATIC MAIN BOARD		PAGE 2	
RadioJunkBox		DATE Apr. 8 2012		REV. B	



TITLE	KAMUI SCHEMATIC MAIN BOARD	PAGE	3
RadioJunkBox	DATE Apr. 8 2012	REV.	B



TITLE	KAMUI SCHEMATIC JACK BOARD	PAGE	4
RadioJunkBox	DATE Mar. 31 2012	REV.	B

mbed to AVR SPI SEND DATA FORMAT

MODE0 SELCT CV CH.

bit7	bit6	bit5	bit4	bit3	bit2	bit1	bit0
MODE		—	—	—	ADG408		
0	0	0	0	0	A2	A1	A0

MODE1 SET GATE OUT

bit7	bit6	bit5	bit4	bit3	bit2	bit1	bit0
MODE		—	LED5	GATE OUT			
0	1	0	ON/OFF	4	3	2	1

MODE2 SET SYNC OUT

bit7	bit6	bit5	bit4	bit3	bit2	bit1	bit0
MODE		—	—	SYNC2 OUT		SYNC1 OUT	
1	0	0	0	START /STOP	CLK	START /STOP	CLK

MODE3 SET SYNC I/O

bit7	bit6	bit5	bit4	bit3	bit2	bit1	bit0
MODE		—	—	SYNC2		SYNC1	
1	1	0	0	START /STOP	CLK	START /STOP	CLK

AVR to mbed SPI RECIEVE DATA FORMAT

bit7	bit6	bit5	bit4	bit3	bit2	bit1	bit0
GATE IN	SYNC2 IN	SYNC1 IN		SW IN			
ON/OFF	CLK	START /STOP	CLK	4	3	2	1

SPI TIMING CHART (MINIMUM)

